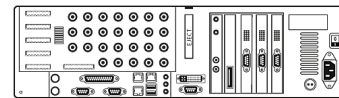


DMS 240



The DMS 240 is a stand-alone hybrid audio and video recorder with up to 24 channels.

The basic version with 8 analogue channels can be expanded by 8/16 analogue channels or activated with 8/16 IP based channels.

- Up to 24 analogue and 16 IP based video channels (max. 24 channels in total)
- PentaplexPlus functionality: Simultaneous real-time recording, streaming, live display, playback and remote access
- Hybrid recording: H.264, MPEG-4
- Audio compression: G.722, MPEG-1 Layer 2
- Bit rate up to 2 Mbps with analogue cameras, up to 4 Mbps with IP cameras
- Resolution with analogue cameras: up to 4CIF
- Resolution with IP cameras: SD, HD (720p, 1080i, 1080p), up to 8 MB
- Frame rate per channel up to 12 fps at 4CIF with analogue cameras, up to 25 fps at D1 with IP cameras
- Variable recording mode (VRM): event-triggered switchover of the recording quality
- Evaluation with SeMSy® or PView via Ethernet
- Integrated management software PView Light
- Integrated SmartFinder, privacy zones and SEDOR® camera sabotage protection for analogue cameras
- Integrated motion detection for analogue and Dallmeier IP cameras
- Live browser access and integrated UTC compatibility
- Easy-Change functionality in case of HDD failure
- 12V output for the external storage expansion DAS-4 Eco
- Linux operating system on Flash memory
- DIN EN 50130-4 compliant

Variants		Options		Activations	
Item number		Item number		Item number	
240.000.000.008	DMS 240 without HDDs 8x analogue video channels	000.194	19" bracket, for a 3HU single device	100.101.FS	ATM activity survey
240.000.000.016	DMS 240 without HDDs 16x analogue video channels	180.900	VdS installation kit, incl. mounting kit and protective cover for the connections	100.102.FS	D/N-RC - Day/Night Remote Control
240.000.000.024	DMS 240 without HDDs 24x analogue video channels	200.128FS	Internal RAID 1, 2x HDDs with the same capacity required (only ex factory)	100.109.FS	SmartFinder advance
240.000.050.108	DMS 240 with 1x 500 GB HDD 8x analogue video channels	200.337	Filter pad, 3HU (5 pieces)	100.118.FS	Anbindung Kassen: Daten können von AWEK-Kassensystemen über LAN empfangen werden. Die Daten werden gespeichert und können bei der Bildsuche (erweiterte Suche) verwendet werden.
240.000.050.116	DMS 240 with 1x 500 GB HDD 16x analogue video channels	010.240	DVI digital output	200.117FS	PRemote PDA, PRemote advance required
240.000.050.124	DMS 240 with 1x 500 GB HDD 24x analogue video channels	100.030	FC interface (fiber optic), for connecting DAS-303 (see storage systems), only ex factory	200.118FS	PView / PRemote live split recording
240.000.075.108	DMS 240 with 1x 750 GB HDD 8x analogue video channels	100.090	SATA interface, for connecting DAS-4 Eco (see storage systems), only ex factory	200.119FS	Voice Talk - bidirectional audio, PRemote advance required
240.000.075.116	DMS 240 with 1x 750 GB HDD 16x analogue video channels	200.210.1	RS485 kit, for the direct control of Dallmeier PTZ dome cameras at the recorder, -DCCP activation included- (only ex factory)	200.120FS	Dual Stream
240.000.075.124	DMS 240 with 1x 750 GB HDD 24x analogue video channel	702.043	Slimline DVD+RW drive	200.122FS	PRemote advance
240.000.100.108	DMS 240 with 1x 1000 GB HDD 8x analogue video channels	124.002.01	TA-24 MS multi screen, for using CVBS monitors incl. split switching	200.124FS	Weather server
240.000.100.116	DMS 240 with 1x 1000 GB HDD 16x analogue video channels	129.303	VSC-1 (Video System Controller), for the control of cameras at the recorder	200.130	SNMP (SI-package SYS-Watch)
240.000.100.124	DMS 240 with 1x 1000 GB HDD 24x analogue video channels	200.325	DFM-1-USB radio clock unit, Radio clock unit on USB (up software version: V5.1.X)	200.202FS.4	DVR4 EBÜS standard image transmission
240.000.100.208	DMS 240 with 2x 500 GB HDDs 8x analogue video channels	240.100.0160	VdS kit 160, incl. 2x 160 GB HDDs, RAID 1, VdS installation kit	200.234FS	VNC server
240.000.100.216	DMS 240 with 2x 500 GB HDDs 16x analogue video channels	240.100.0250	VdS kit 250, incl. 2x 250 GB HDDs, RAID 1, VdS installation kit	240.003.16	Hybrid activation: 8 analogue / 16 IP based video channels
240.000.100.224	DMS 240 with 2x 500 GB HDDs 24x analogue video channels	240.100.0500	VdS kit 500, incl. 2x 500 GB HDDs, RAID 1, VdS installation kit	240.003.24	Hybrid activation: 16 analogue / 8 IP based video channels
240.000.100.308	DMS 240, ready for storage with 2x 500 GB HDDs 8x analogue video channels	240.100.0750	VdS kit 750, incl. 2x 750 GB HDDs, RAID 1, VdS installation kit	240.003.8	Hybrid activation: 8 analogue / 8 IP based video channels
240.000.100.316	DMS 240, ready for Storage with 2x 500 GB HDDs 16x analogue video channels	240.100.1000	VdS kit 1000, incl. 2x 1000 GB HDDs, RAID 1, VdS installation kit		
240.000.100.324	DMS 240, ready for Storage with 2x 500 GB HDDs 24x analogue video channels	100.033.3	DNI-1 Scheidt & Bachmann cash desk		
240.000.150.208	DMS 240 with 2x 750 GB HDDs 8x analogue video channels	100.034	DNI-1 basis set, for the connection of an external data interface (such as ATM, access control, cash register, etc.)		
240.000.150.216	DMS 240 with 2x 750 GB HDDs 16x analogue video channels	100.035	DNI-1/E expansion module		
240.000.150.224	DMS 240 with 2x 750 GB HDDs 24x analogue video channels	100.037.3	DNI-1 Huth cash desk basis set, for connecting a Huth central computer (for up to 4 cashier work stations) incl. transmitter		
240.000.200.108	DMS 240 with 1x 2000 GB HDD 8x analogue video channels	100.038	DNI-1 Huth expansion module		
240.000.200.116	DMS 240 with 1x 2000 GB HDD 16x analogue video channels	100.050	DNI-TA24, for connecting the TA-24 MS keyboard		
240.000.200.124	DMS 240 with 1x 2000 GB HDD 24x analogue video channels	100.039	Power supply unit for DNI interfaces and TA-24		
240.000.200.208	DMS 240 with 2x 1000 GB HDDs 8x analogue video channels				
240.000.200.216	DMS 240 with 2x 1000 GB HDDs 16x analogue video channels				
240.000.200.224	DMS 240 with 2x 1000 GB HDDs 24x analogue video channels				
240.000.400.208	DMS 240 with 2x 2000 GB HDDs 8x analogue video channels				
240.000.400.216	DMS 240 with 2x 2000 GB HDDs 16x analogue video channels				
240.000.400.224	DMS 240 with 2x 2000 GB HDDs 24x analogue video channels				

* Flash is a trademark or registered trademark of the company Adobe Systems Incorporated headquartered in San Jose, California, USA., Trademarks which are designated by an ® are registered trademarks of Dallmeier electronic.

Technical specifications

Max. video channels	24x analogue and 16x IP based channels (max. 24 channels in total)
Supported cameras	Analogue and IP cameras of Dallmeier and of third party, incl. megapixel and high-definition cameras
Video/audio compression	H.264, MPEG-4, MJPEG / G.722.1, MPEG-1 Layer 2
Operating mode	PentaplexPlus: recording, streaming, live display, playback, remote access
Split display	1, 4, 9, 13, 16, 25 (IP cameras only via PView)
Display resolution	4CIF, DCIF, 2CIF, CIF, QCIF (analogue) D1, 4CIF, Half D1, 2CIF, CIF, QCIF (IP)
Recording resolution	SD, HD (720p, 1080i, 1080p), up to 8MP
Recording mode	Permanent, motion, contact, timer, variable recording mode (VRM)
Frame rate per analogue channel	Up to 12 fps at 4CIF Up to 16 fps at DCIF, 2CIF Up to 25 fps at CIF, QCIF
Frame rate per IP based channel	6.25 / 12.5 / 25 fps at D1, 4CIF, Half D1, 2CIF, CIF, QCIF
Bit rate per analogue channel	Up to 2 Mbps
Bit rate with up to 8 IP channels	Up to 4 Mbps
Bit rate with up to 16 IP channels	Up to 3 Mbps

Integrated / optional functions

Management software	PView Light
Configuration software	DMS NetConfig
UTC control	Integrated
Privacy Zones	Integrated
Motion detection	Integrated
SEDOR® camera sabotage protection	Integrated
Dual Stream	Optional activation
SmartFinder	Integrated
Audio for all channels	Integrated
Track modes	Standard, automatic, manual
D/N-RC (Day/Night Remote Control)	Optional activation
SmartFinder advance	Optional activation
Activation of 8 IP & 8 analg. channels	Optional activation
Activation of 8 IP & 16 analg. channels	Optional activation
Activation of 16 IP & 8 analg. channels	Optional activation

Interfaces

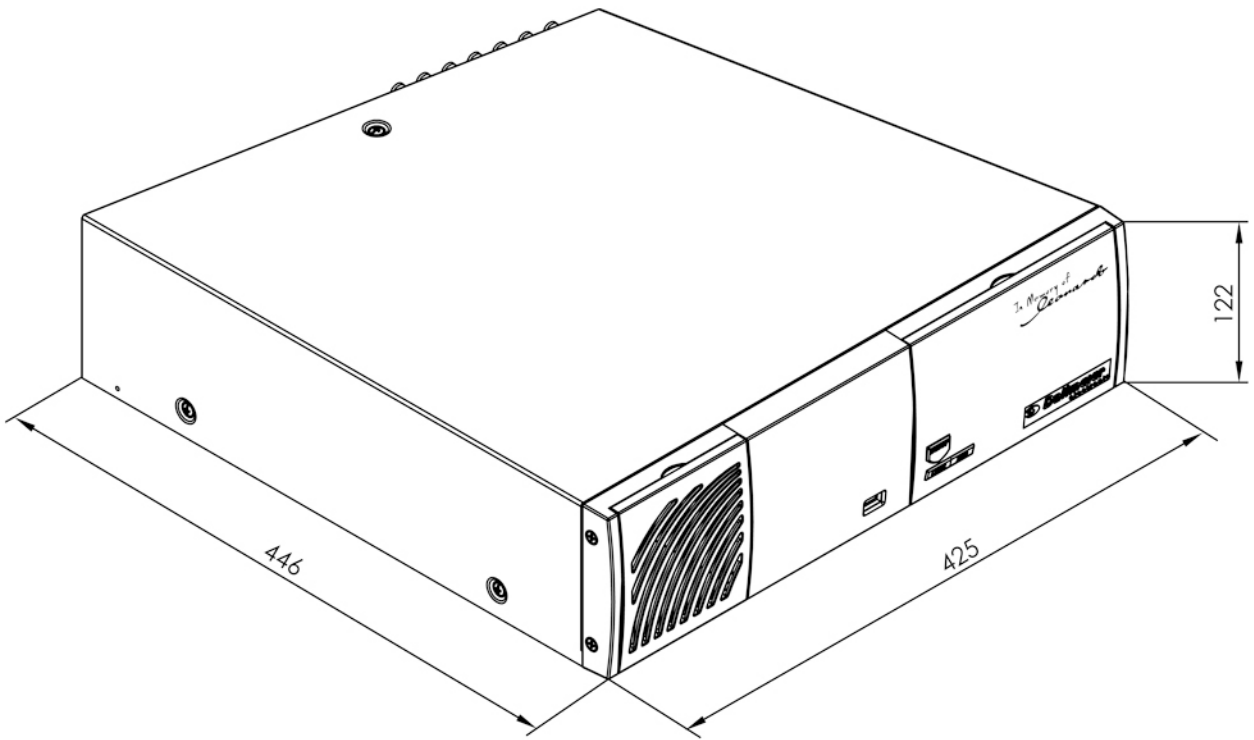
Camera inputs	24x CVBS/BNC, with loop-through
Video outputs	4x CVBS/BNC with loop-through, 1x VGA, 1x DVI-I (optional)
Aux-Line IN/Mic IN/Audio OUT	1x 3.5 mm phone jack / 1x 3.5 mm phone jack / 1x 3.5 mm phone jack
Audio inputs	24x
Ethernet	1x RJ45, 10/100/1000 Mbps
Ethernet protocols	IPv4, TCP, UDP, ARP, ICMP, DHCP, NTP, HTTP, RTSP
Contact IN / relay OUT	30x, each 4 functions / 5x, configurable as NO or NC
Serial / parallel / USB / PS/2	2x RS232, 1x RS485 (optional) / 1x IEEE 1284 / 3x USB 2.0 / Mouse, keyboard

Further specifications

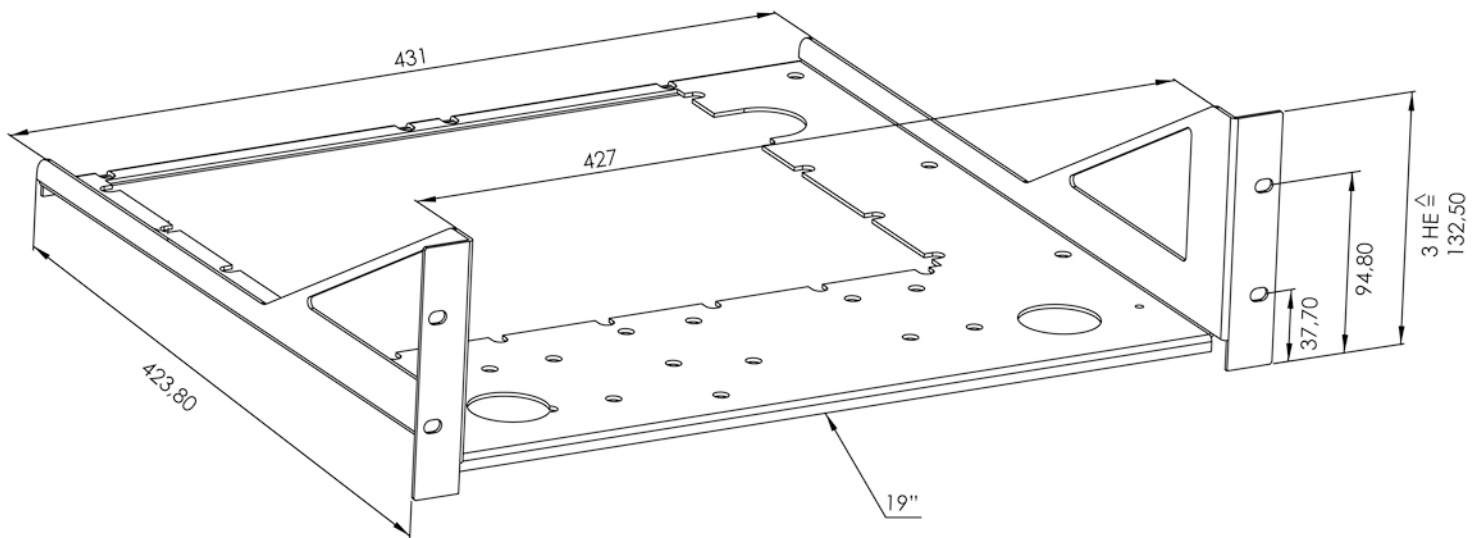
Exchangeable hard disks	Up to 2x 3.5" (optional)
Max. storage capacity	Up to 4 TB
Archiving medium	SlimLine DVD-RW drive (optional)
Voltage supply	110/230V AC +/- 10% (50/60 Hz)
Power consumption	Max. 130 W
Heat power	Max. 444 BTU/h
Dimensions (W x H x D)	Approx. 425 x 133 (3HU) x 445 mm
Operating temperature	5° - 40° C, 20° - 25° C recommended
Humidity	5 - 70% RH non-condensing
Atmospheric load	Dust-free
Weight	10 - 12 kg
Fan	3x with automatic speed adaptation
Voltage output	12V DC +/- 5%
Operating system	Linux
Languages	German, English, French, Spanish (others on request)
Approvals/certifications	CE, FCC, UL, ACA, CB, Kalagate, DIN EN 50130-4
VdS certification	Only if ordering VdS-Mounting-Kit

DMS 240

Technical drawings



[mm]



[mm]